

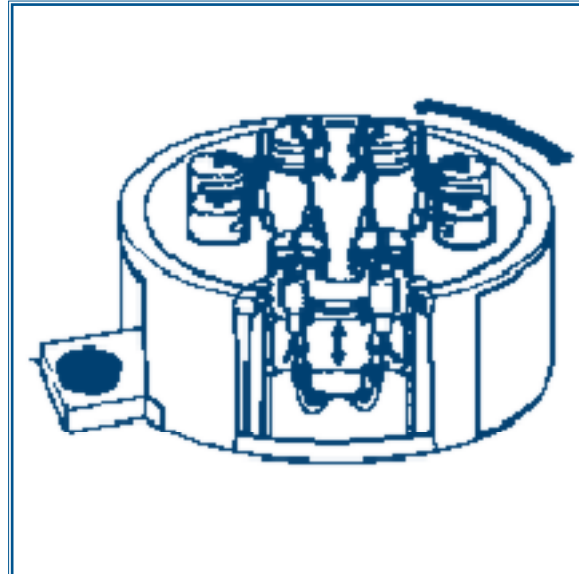


#### Compressed air activation

##### Application sectors

01.00	Carpentry, boiler builders, Shipbuilding	<input type="checkbox"/>
02.00	Rail industry, Production & maintenance	<input type="checkbox"/>
03.00	Foundry, Steel industry Mining and Oil industry	<input type="checkbox"/>
04.00	Inox manufacturing and furnishing	<input checked="" type="checkbox"/>
05.00	Aviation industry	<input checked="" type="checkbox"/>
06.00	Termal treatment, Filling steel, Mechanics	<input type="checkbox"/>
07.00	Car industry and Motoring industry	<input checked="" type="checkbox"/>
08.00	Internal and external pipes and cilinders sandblasting	<input checked="" type="checkbox"/>
09.00	Plastic, Rubber, Galvanic	<input checked="" type="checkbox"/>
10.00	Painting company and plants	<input type="checkbox"/>
11.00	Glass industry	<input type="checkbox"/>
12.00	Building and road construction	<input type="checkbox"/>
13.00	Nuclear energy	<input type="checkbox"/>
14.00	Armament industry	<input checked="" type="checkbox"/>
15.00	Electromechanics and Electronics	<input checked="" type="checkbox"/>

##### Layout of a taylor made cabinet



#### General information

It's a group of machines for which we can't easily make a scheme, as the machines of the other groups.

In this group there are the most various realizations, and here it's principally concentrated the capacity and know how of an engineering company.

We can cover the most various fields; we will mention in this context only one application in the nuclear field, which represent for us the top of these machines and installations category.

For this sector we set up the technology of superficial decontamination for H.P. and L.P. wheel rotors of nuclear power plants. The same technology can be used for all the members composing the secondary circuit of a nuclear power plant, which come into contact with water / vapour fluid.

Some exemplars of these installations are still working.

