

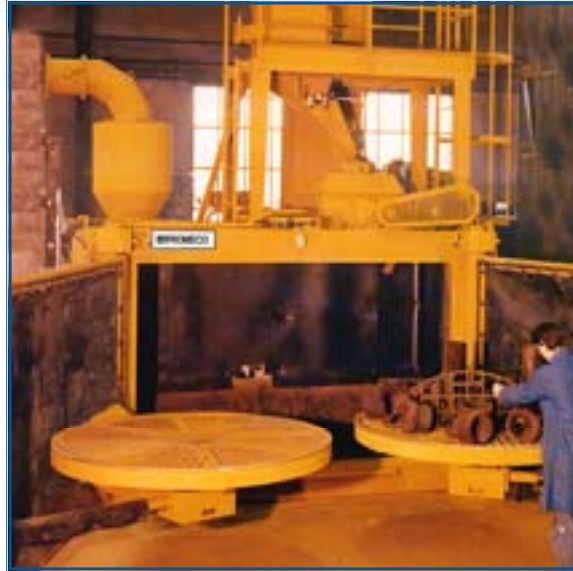


Wheel activation

Application sectors

01.00	Carpentry, boiler builders, Shipbuilding	<input type="checkbox"/>
02.00	Rail industry, Production & maintenance	<input checked="" type="checkbox"/>
03.00	Foundry, Steel industry Mining and Oil industry	<input checked="" type="checkbox"/>
04.00	Inox manufacturing and furnishing	<input checked="" type="checkbox"/>
05.00	Aviation industry	<input type="checkbox"/>
06.00	Termal treatment, Filling steel, Mechanics	<input checked="" type="checkbox"/>
07.00	Car industry and Motoring industry	<input checked="" type="checkbox"/>
08.00	Internal and external pipes and cilinders sandblasting	<input type="checkbox"/>
09.00	Plastic, Rubber, Galvanic	<input type="checkbox"/>
10.00	Painting company and plants	<input type="checkbox"/>
11.00	Glass industry	<input checked="" type="checkbox"/>
12.00	Building and road construction	<input type="checkbox"/>
13.00	Nuclear energy	<input type="checkbox"/>
14.00	Armament industry	<input checked="" type="checkbox"/>
15.00	Electromechanics and Electronics	<input type="checkbox"/>

Picture of a double rotating table machine



Pictures



rotating table



fixed rotating tables



fixed rotating tables



Extractable rotary table on doors

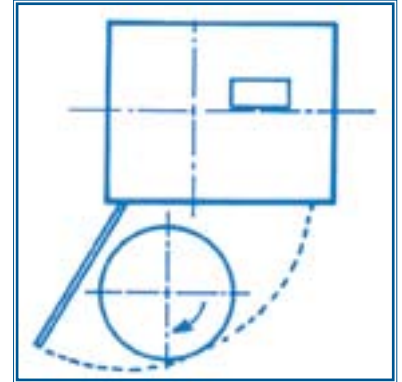
TE (S) 14

> N. 1 table with dimensions of 1400 mm. supportive with the door *

TE (S) 17

> N.1 table with dimensions of 1700 mm. supportive with the door *

(*) Possibility to upload pieces by crane



TE (D) 14

> N. 2 doors

> N. 2 table with dimensions of 1400 mm. each supportive with the door *

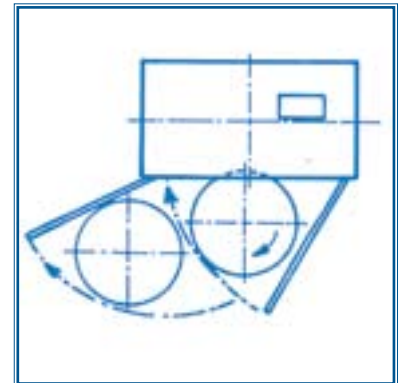
TE (D) 17

> N. 2 doors

> N. 2 table with dimensions of 1700 mm. each supportive with the door *

> Reduction of time for loading and unloading

(*) Possibility to upload pieces by crane

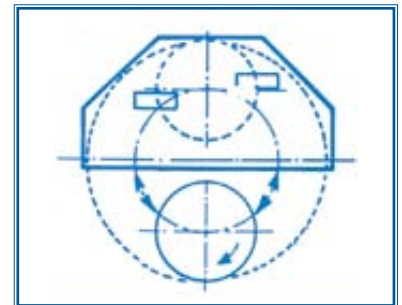


TTE (D) 17

> N. 2 tables of Ø 1000 mm. mounted on opposite sides of a motorized revolving door

> Possibility to upload pieces by crane

> Reduction of time for loading and unloading



Fixed rotating tables

GT 10

> Table dimensions: 1000 mm

> Sandblasting of small and medium-size pieces

> Adjustable sandblasting by a timer

Optionals:

> 5,5 Kw wheel

> Table edge to contain small and light parts

GT 14

> Table dimensions: 1400 mm

> Sandblasting of medium-size pieces with possibility to upload pieces by crane

> Adjustable sandblasting by a timer

Optionals:

> 5,5 Kw wheel

> Table edge to contain small and

GT 14

> Table dimensions: 1700 mm

> Sandblasting of medium and large-size pieces with possibility to upload pieces by crane

> Adjustable sandblasting by a timer

Optionals:

> 5,5 Kw wheel

> Table edge to contain small and



**Extractable rotary table on doors - technical details**

CARATTERISTICHE	unità	TE(s) 14	TE(s) 17	TE(d) 14	TE(d) 17	TTE(d) 17
Wheel number and power	kw	1 x 4	2 x 7,5	1 x 4	2 x 7,5	2 x 7,5
Wheel type	mm	TB 360	TB 360	TB 360	TB 360	TB 360
Wheel diameter	mm	360	360	360	360	360
Rotating tables n. and diameter	giri/1'	1 - 1400	1 - 1700	2 - 1400	2 - 1700	2 - 1700
Rotational speed of the table	kg	1	0,8	1	0,8	0,8
Max. uniform load admitted	mm	1500	1500	1500	1500	1500
Max sandblasting height	mm	400	800	400	800	800
Door width	min	1450x770	1750x800	1450x770	1750x800	1750x800
Average time for blasting	m3/1'	2 - 15	2 - 15	2 - 15	2 - 15	2 - 15
Airflow-dusting capacity		41,6	50	41,6	50	100
Machine body dimensions:	mm					
- depth (open doors)	mm	2650	3150	2650	3150	4970
- width	mm	2450	3200	2450	3200	4975
- height	kg	3850	5000	3850	5000	6500
Total machine weight		4950	5300	5350	5850	7970

Fixed rotating table - technical details

CARATTERISTICHE	unità	GT 10	GT 14	GT 17
Wheel number and power	kw	1 x 4	1 x 4	2 X 7,5
Wheel type	mm	TC33	TB360	TB360
Wheel diameter	mm	330	360	360
Rotating tables n. and diameter	giri/1'	1000	1400	1700
Rotational speed of the table	kg	4,7	1	0,8
Max. uniform load admitted	mm	300	1500	1500
Max sandblasting height	mm	200	400	800
Door width	min	1020x520	1450x770	1850x800
Average time for blasting	m3/1'	2 - 10	2 - 15	2 - 15
Airflow-dusting capacity	Kw	37,5	41,6	50
Installed power (with dust collector)		8,285	8,5	17,5
Machine body dimensions:	mm			
- depth (open doors)	mm	2710*	2650	3150
- width	mm	2135*	2450	3200
- height	kg	3450*	3850	5000
Total machine weight		1300	4500	4800

NO FOUNDATION REQUIRED

(*) for the GT 10 its dimensions include filter; this is the only machine that is standard built with a built-in filter (optional filter may be external).

N.B.: Our shot blasting machine with rotary table can be equipped with a turntable composed of N.H cast iron septum or with perforated sheet turntable covered with perforated high abrasion resistance rubber .

