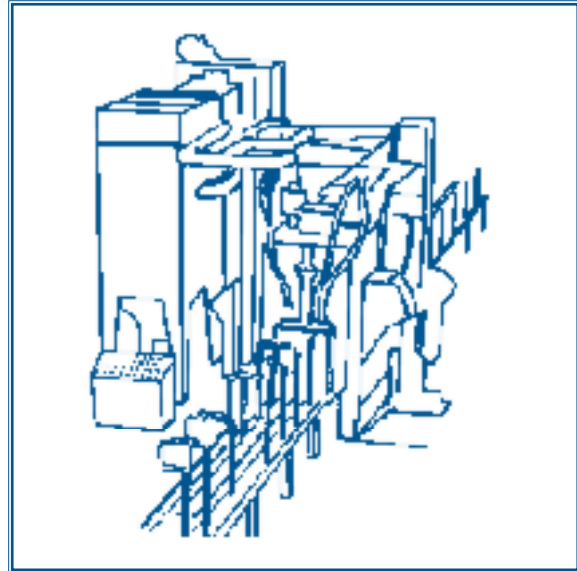


**Wheel activation****Application sectors**

01.00	Carpentry, boiler builders, Shipbuilding	<input checked="" type="checkbox"/>
02.00	Rail industry, Production & maintenance	<input type="checkbox"/>
03.00	Foundry, Steel industry Mining and Oil industry	<input checked="" type="checkbox"/>
04.00	Inox manufacturing and furnishing	<input checked="" type="checkbox"/>
05.00	Aviation industry	<input type="checkbox"/>
06.00	Termal treatment, Filling steel, Mechanics	<input type="checkbox"/>
07.00	Car industry and Motoring industry	<input type="checkbox"/>
08.00	Internal and external pipes and cilinders sandblasting	<input type="checkbox"/>
09.00	Plastic, Rubber, Galvanic	<input type="checkbox"/>
10.00	Painting company and plants	<input checked="" type="checkbox"/>
11.00	Glass industry	<input checked="" type="checkbox"/>
12.00	Building and road construction	<input type="checkbox"/>
13.00	Nuclear energy	<input type="checkbox"/>
14.00	Armament industry	<input type="checkbox"/>
15.00	Electromechanics and Electronics	<input type="checkbox"/>

Specification

	TOLEPRO "675V"	TOLEPRO "815V"
> max. shot blasting height from both sides	1850 mm	2700 mm
> min. length of the steels	1500 mm	1500 mm
> min. thickness of the steels	3 mm	4 mm
> max. thickness of the steels	30 mm	50 mm
> max. dimensions of the sections	400 x 1000 mm	400 x 1000 mm
> working speed	0,3 - 1,5 m/1'	0,3 - 1,5 m/1'
> wheel number	4 + 2	6 + 2
> wheel power	5,5 kw	5,5 kw
> cartridges n. (dust collector)	8	8
> dust collector capacity	8000 m ³ /h	8000 m ³ /h
> max. installed power	51 kw	64 kw

Description

This kind of shot blasting, that for determined working conditions can be prefer to the one for horizontal steel sheets (see n. 16), is realized with our machine "TOLEPRO", for which there are 2 models : mod. "675 V" and "875 V"

A peculiarity of these machines is the venthole on the roof which allow the passage of steel sheets higher than the max. sandblasting height.

Also sections, within certain limits, can be shot blasted, working only with the lower wheels.

