

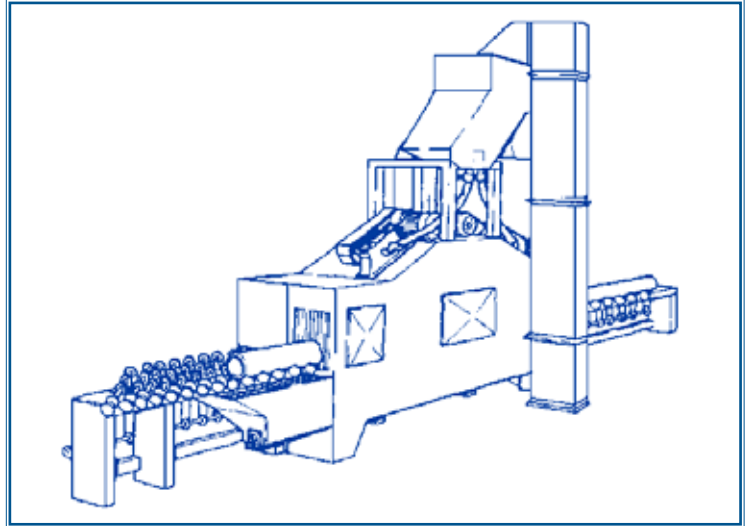


Wheel activation

Application sectors

01.00	Carpentry, boiler builders, Shipbuilding	<input type="checkbox"/>
02.00	Rail industry, Production & maintenance	<input type="checkbox"/>
03.00	Foundry, Steel industry Mining and Oil industry	<input type="checkbox"/>
04.00	Inox manufacturing and furnishing	<input type="checkbox"/>
05.00	Aviation industry	<input type="checkbox"/>
06.00	Termal treatment, Filling steel, Mechanics	<input checked="" type="checkbox"/>
07.00	Car industry and Motoring industry	<input checked="" type="checkbox"/>
08.00	Internal and external pipes and cilinders sandblasting	<input type="checkbox"/>
09.00	Plastic, Rubber, Galvanic	<input type="checkbox"/>
10.00	Painting company and plants	<input checked="" type="checkbox"/>
11.00	Glass industry	<input type="checkbox"/>
12.00	Building and road construction	<input checked="" type="checkbox"/>
13.00	Nuclear energy	<input type="checkbox"/>
14.00	Armament industry	<input type="checkbox"/>
15.00	Electromechanics and Electronics	<input type="checkbox"/>

Specification



DIABOLO ROLLERS SHOT BLASTING EQUIPMENT HELYGO MODEL

model	min - max dim. mm	wheels n.	production rate m/min
Helygo 5-35	50 - 350	2	0,8 - 2,4
Helygo 6-38	60 - 380	2	0,8 - 2,4
Helygo 35-50	350 - 600	2	0,8 - 2,4

- shot blasting of gas bottles, pipe, etc.
- perfect cleaning
- loading and unloading conveyor

Description

The shot blasting machines in question are mainly composed of:

- > A machine body having a pre and post room
- > One incoming and outgoing roller way
- > A group for the recovery and regeneration of the abrasive
- > A group of cartridges filtration (separate from the machine)